

Pendant Station (SV / 3 S, D)



SV / 3 S Push Buttons :

2 + 1 - Single Speed

Description :

2 Push Button with 1 NO Contact

+ 1 Emergency Stop with 1 NC Contact

SV / 3 D Push Buttons :

2 + 1 - Two Speed

Description :

2 Push Button with (1 NO + 1 NO)

Progressive Contacts

+ 1 Emergency Stop with 1 NC Contact

Single Speed



UP



DOWN

Multi Speed



SV / 3D

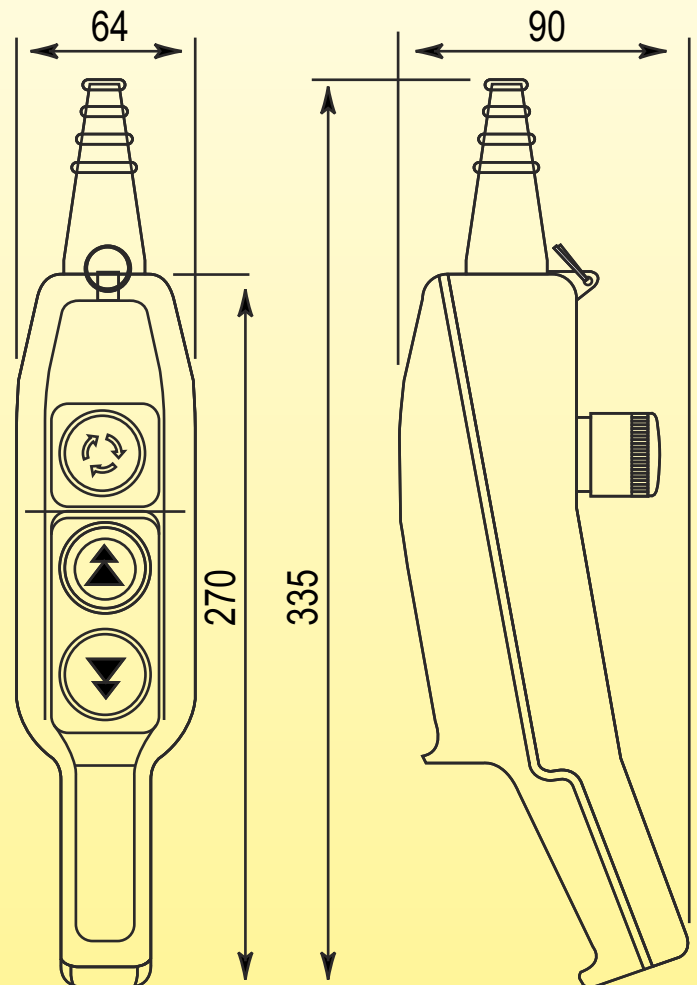
STOP



UP



DOWN



Weight : 450 gm.