

# Pendant Station(SV / 10 S)



## SV / 10 S Push Buttons:

8 + 2 - Single Speed

### Description :

8 Push Button with 1 NO Contact

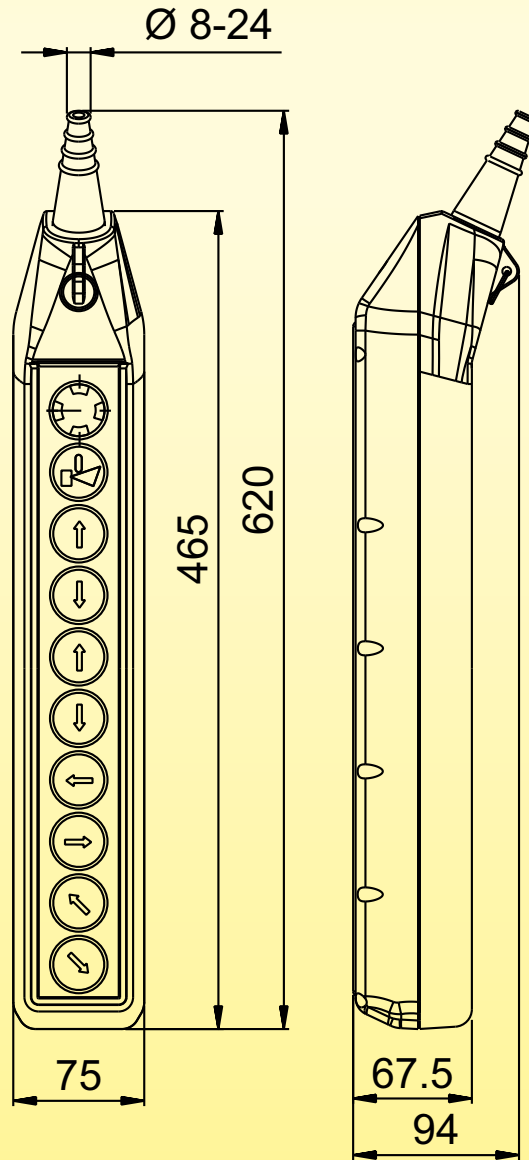
+ 1 Emergency Stop with 1 NC Contact

+ 1 Start /Alarm with 2 NO Contacts

## Single Speed



## SV / 10S



Weight : 990 gm.

