

Pendant Station (SH / 6 S)



SH / 6 S Push Buttons :

2 + 2 - Single Speed

Description :

4 Push Button with 1 NO Contact

+ 1 Emergency Stop with 1 NC Contact

+ 1 Start /Alarm with 2 NO Contacts

Single Speed



SH / 6S

START



STOP



UP



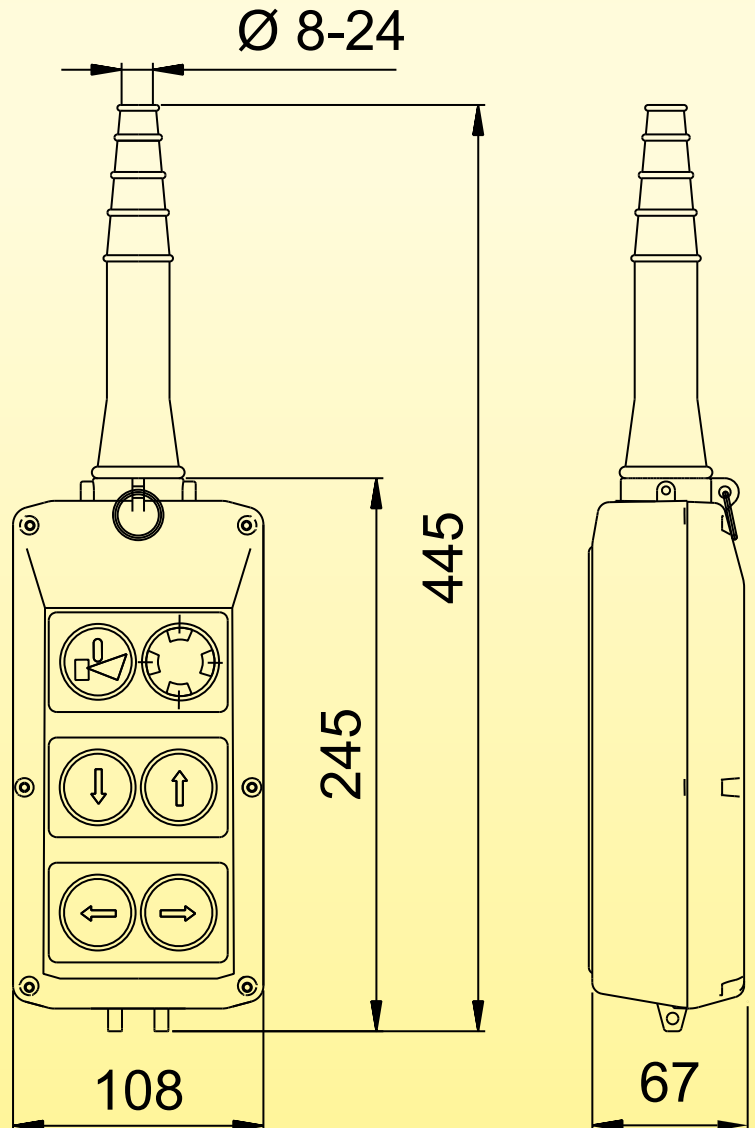
DOWN



FORWARD



REVERSE



Weight : 680 gm.