

# PendantStation(SH / 4 D)



## SH / 4 D Push Buttons:

**2 + 2 - Two Speed**

### Description :

**2 Push Button with (1 NO + 1 NO)**

**Progressive Contacts**

**+ 1 Emergency Stop with 1 NC Contact**

**+ 1 Start /Alarm with 2 NO Contacts**

### Multi Speed



### SH / 4D

START



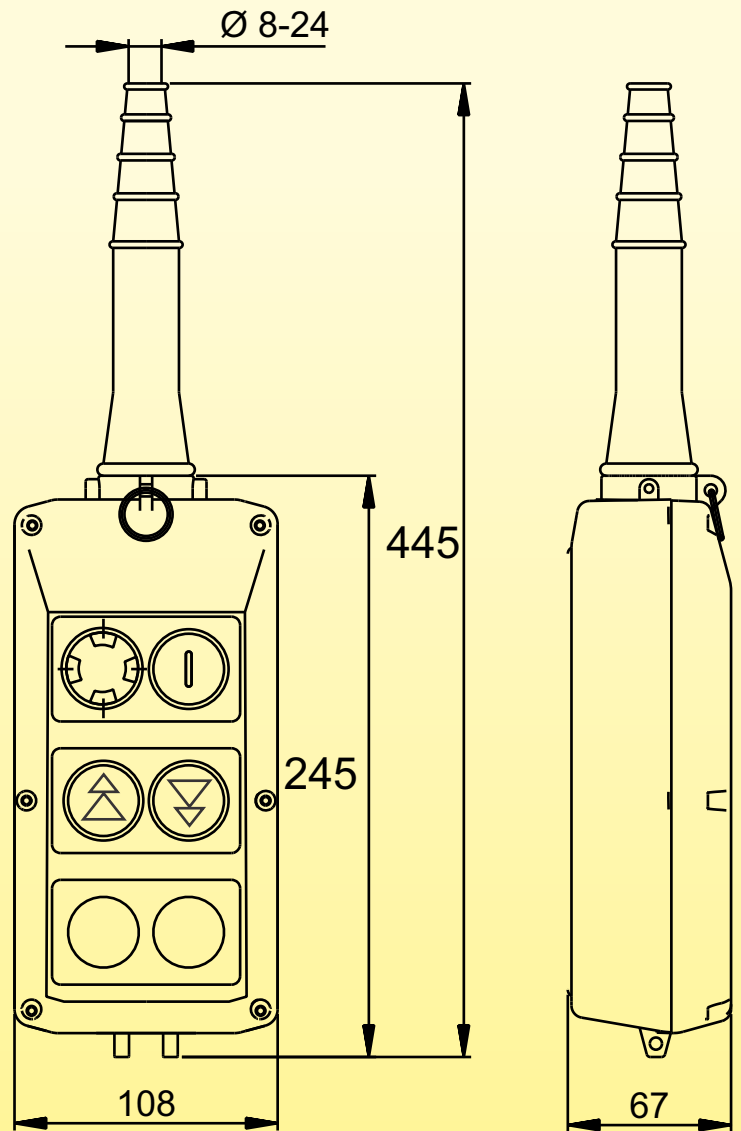
STOP



UP



DOWN



**Weight : 680 gm.**