

# Safe Lift Pendant Station

## SV / 5 D

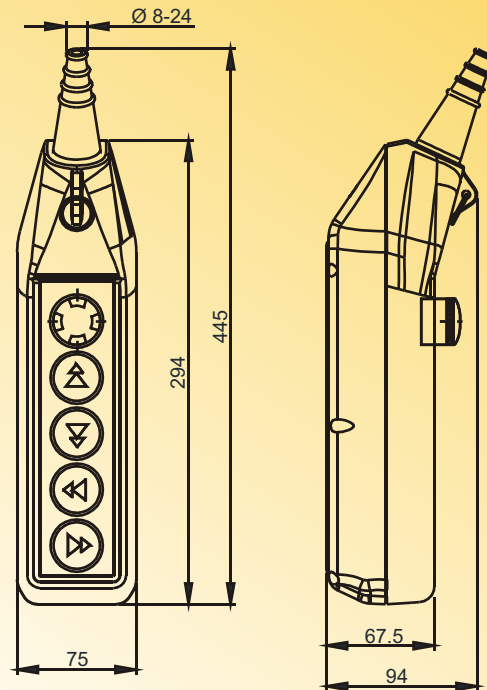
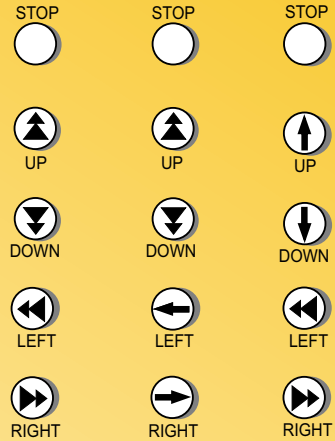
SV / 5S Push Buttons : 4 + 1 - Double Speed

Description : 4 Push Button with 2 NO Contacts  
+ 1 Emergency Stop with 1 NC Contact



Single Speed

SV / 5D SV / 5D1 SV / 5D2



Weight : 600 Gm.

4



**Speed-O-Controls Pvt. Ltd.**

Unit - I: Plot No. 4912, G. I. D. C., Phase IV, Vatva,  
Ahmedabad - 382445 Tel.: (079) 40083201/2/3/4,  
Fax : (079) 25841056, E-mail : sales.amd@socgroup.in

Visit us at : [www.speedocontrols.com](http://www.speedocontrols.com)

H. O. Unit -II : C-15/16, Nand Jyot Industrial Estate,  
Andheri - Kurla Road, Mumbai - 400072 ,  
Tel : (022) 42469700-30, 28518512-3-4,  
Fax : (022) 42469797/ 28518516, E-mail : sales@socgroup.in