

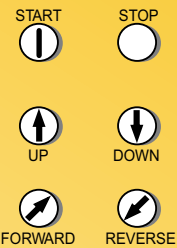
# Safe Lift Pendant Station

## SH / 6 S

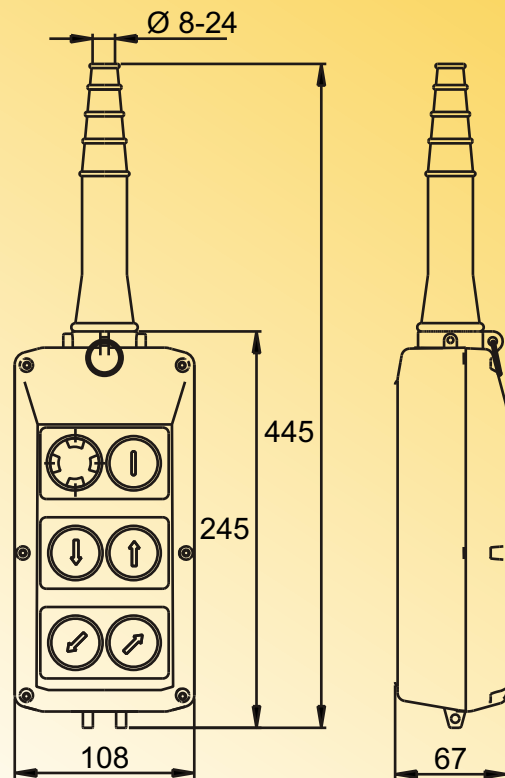
SH / 6 S Push Buttons : 4 + 2 - Single Speed

Description : 4 Push Button with 1 NO Contact  
 + 1 Emergency Stop with 1 NC Contact  
 + 1 Start / Alarm with 2 NO Contacts

### SH / 6S



Multi Speed



Weight : 680 Gm.

15



**Speed-O-Controls Pvt. Ltd.**

Unit - I: Plot No. 4912, G. I. D. C., Phase IV, Vatva,  
 Ahmedabad - 382445 Tel.: (079) 40083201/2/3/4,  
 Fax : (079) 25841056, E-mail : sales.amd@socgroup.in

Visit us at : [www.speedocontrols.com](http://www.speedocontrols.com)

H. O. Unit -II : C-15/16, Nand Jyot Industrial Estate,  
 Andher i- Kurla Road, Mumbai - 400072 ,  
 Tel : (022) 42469700-30, 28518512-3-4,  
 Fax : (022) 42469797/ 28518516, E-mail : sales@socgroup.in

# Safe Lift Pendant Station

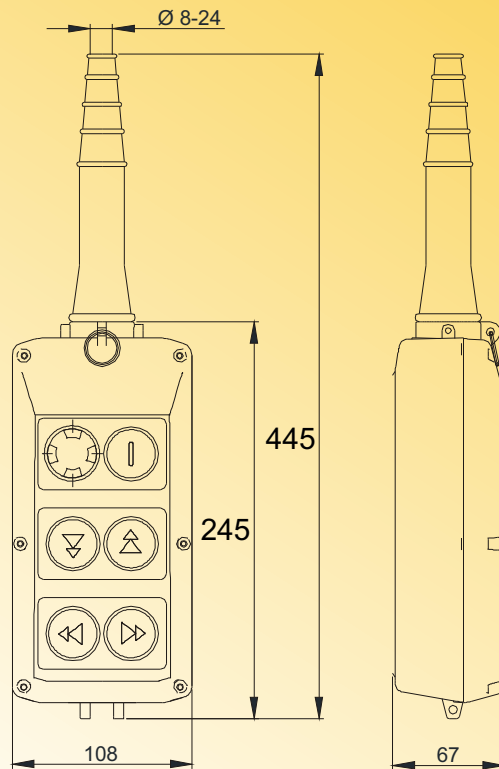
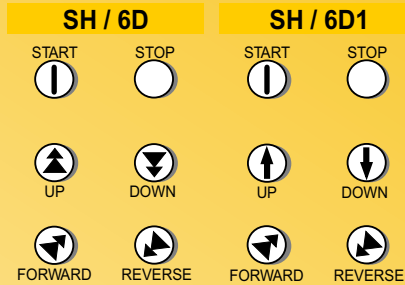
## SH / 6 D

SH / 6 D Push Buttons : 4 + 2 - Two Speed

Description : 4 Push Button with 2 NO Contacts  
+ 1 Emergency Stop with 1 NC Contact  
+ 1 Start /Alarm with 2 NO Contacts



Single Speed



Weight : 720 Gm.

16



**Speed-O-Controls Pvt. Ltd.**

Unit - I: Plot No. 4912, G. I. D. C., Phase IV, Vatva,  
Ahmedabad - 382445 Tel.: (079) 40083201/2/3/4,  
Fax : (079) 25841056, E-mail : sales.amd@socgroup.in

Visit us at : [www.speedocontrols.com](http://www.speedocontrols.com)

H. O. Unit - II : C-15/16, Nand Jyot Industrial Estate,  
Andher i- Kurla Road, Mumbai - 400072 ,  
Tel : (022) 42469700-30, 28518512-3-4,  
Fax : (022) 42469797/ 28518516, E-mail : sales@socgroup.in

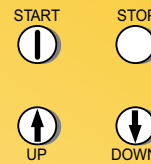
# Safe Lift Pendant Station

## SH / 4 S

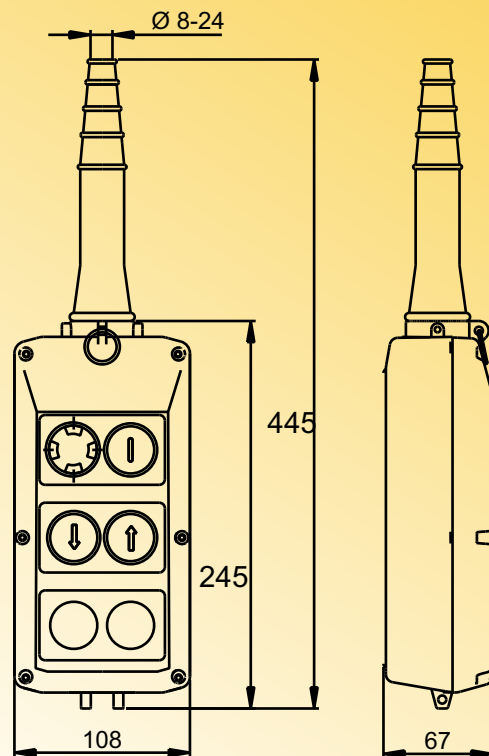
SH / 4 S Push Buttons : 2 + 2 - Single Speed

Description : 2 Push Button with 1 NO Contact  
+ 1 Emergency Stop with 1 NC Contact  
+ 1 Start / Alarm with 2 NO Contacts

### SH / 4S



Multi Speed



Weight : 680 Gm.

13



**Speed-O-Controls Pvt. Ltd.**

Unit - I: Plot No. 4912, G. I. D. C., Phase IV, Vatva,  
Ahmedabad - 382445 Tel.: (079) 40083201/2/3/4,  
Fax : (079) 25841056, E-mail : sales.amd@socgroup.in

Visit us at : [www.speedocontrols.com](http://www.speedocontrols.com)

H. O. Unit -II : C-15/16, Nand Jyot Industrial Estate,  
Andher i- Kurla Road, Mumbai - 400072 ,  
Tel : (022) 42469700-30, 28518512-3-4,  
Fax : (022) 42469797/ 28518516, E-mail : sales@socgroup.in

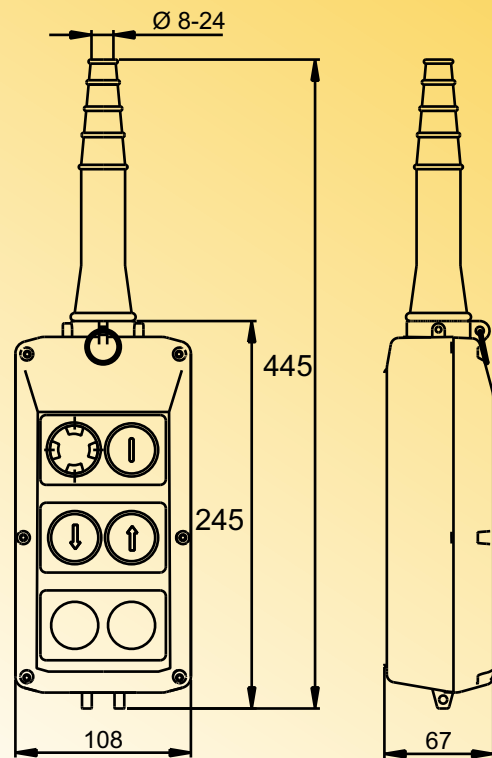
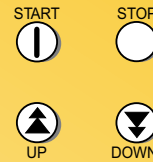
# Safe Lift Pendant Station

## SH / 4 D

SH / 6 D Push Buttons : 2 + 2 - Two Speed

Description : 2 Push Button with 2 NO Contacts  
 + 1 Emergency Stop with 1 NC Contact  
 + 1 Start /Alarm with 2 NO Contacts

### SH / 4D



Weight : 680 Gm.



**Speed-O-Controls Pvt. Ltd.**

Unit - I: Plot No. 4912, G. I. D. C., Phase IV, Vatva,  
 Ahmedabad - 382445 Tel.: (079) 40083201/2/3/4,  
 Fax : (079) 25841056, E-mail : sales.amd@socgroup.in

Visit us at : [www.speedocontrols.com](http://www.speedocontrols.com)

H. O. Unit -II : C-15/16, Nand Jyot Industrial Estate,  
 Andher i- Kurla Road, Mumbai - 400072 ,  
 Tel : (022) 42469700-30, 28518512-3-4,  
 Fax : (022) 42469797/ 28518516, E-mail : sales@socgroup.in