

## Introduction

### Transmitter

The rugged design of the transmitter allows the possibility to incorporate 4 single depression push button as per requirement. Transmitter status can be monitored via LED indication available on the transmitter. Body made from thermoplastic material provides resistance to harsh industrial environments. Operates with 2 AA batteries.

### Receiver

The receiver of the system contains 6 potential free contact relays (4 + Start + Alarm) which can be configured as per the requirement. The receiver also contains a feedback module which continuously monitors the internal circuitry and enables the user to check the Receiver status via the LED on the receiver.



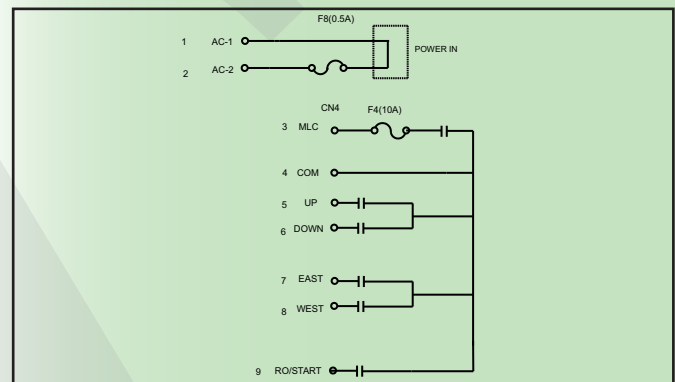
**Transmitter**

**Receiver**

### Technical Specification

Number of Commands	Upto 4 + Start/Stop + Alarm
Hamming Distance	>=6
Response Time	<24ms
Active Emergency Response Time	<24ms
Operating Range Distance	100 m

### Wiring Diagram



### Transmitter

Number of Push Buttons	Upto 4 + Start/Stop + Alarm
Operating Frequency	UHF (310.00 to 336.00 Mhz)
Channel Spacing	25KHz
RF Power Output	10m W
Coding Key	FFSK
Transmitting Power Consumption	<15mA
Standby Power Consumption	<1mA
Battery Type	2 AA Size Alkaline Batteries
Operating Temperature	-20°C to +70°C
Transmitter Weight	275 grams (without battery)
Dimensions	120mm (H) x 55mm (W) x 25mm (B)
Protection Rating	IP 65

### Receiver

RF Sensitivity	0.6mV
No of Potential Free Contacts	Upto 4 + Start/Stop + Alarm
Relays	Resistive Load : 5A at 230VAC or 30VDC
Power Requirements	110VAC/220VAC
Display	By means of LEDs
Maximum Consumption	100VA
Dimensions	161mm(H) x 72mm(B) x 52mm (W)
Weight	Approx 1.4 Kg
Protection Rating	IP 65