

Safe Lift Pendant Station

SV / 5 S

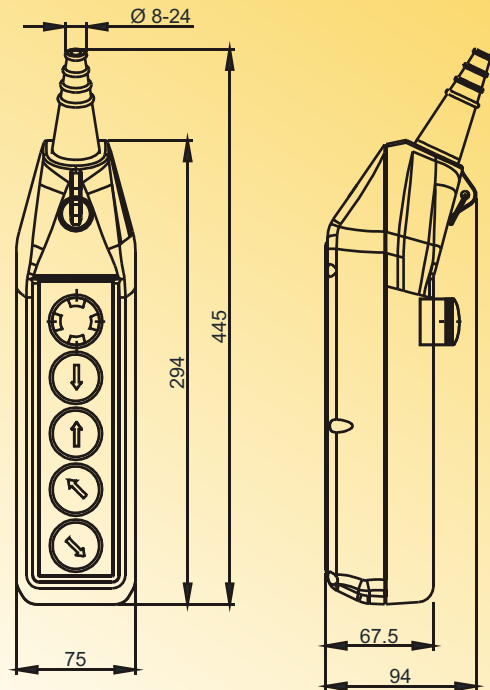
SV / 5S Push Buttons : 4 + 1 - Single Speed

Description : 4 Push Button with 1 NO Contact
+ 1 Emergency Stop with 1 NC Contact



Multi Speed

SV / 5S



Weight : 570 Gm.

3



Speed-O-Controls Pvt. Ltd.

Unit - I: Plot No. 4912, G. I. D. C., Phase IV, Vatva,
Ahmedabad - 382445 Tel.: (079) 40083201/2/3/4,
Fax : (079) 25841056, E-mail : sales.amd@socgroup.in

Visit us at : www.speedocontrols.com

H. O. Unit - II : C-15/16, Nand Jyot Industrial Estate,
Andher i- Kurla Road, Mumbai - 400072 ,
Tel : (022) 42469700-30, 28518512-3-4,
Fax : (022) 42469797/ 28518516, E-mail : sales@socgroup.in